

# LED Downlight 8w

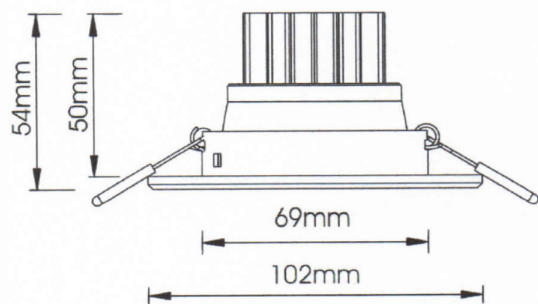
IP64



LED Downlight - EFX-SDRDL508W

## LED Downlight 8w - EFX-SDRDL508W

The Eco-FX LED Downlight offers high luminosity COB LEDs giving efficient heat dissipation and produces a softer light. The long life driver offers constant current and voltage.



| Technical 8w          |                                      |
|-----------------------|--------------------------------------|
| Product Code          | EFX-SDRDL508W                        |
| Size                  | Ø102mm x 54mm                        |
| Beam Angle            | 120°                                 |
| Input Voltage         | 85-260Vac                            |
| Frequency             | 50/60 Hz                             |
| Transformer Output    | 8W                                   |
| Running Current       | 700mA                                |
| Power Factor          | 0.93                                 |
| Chip Set              | Samsung                              |
| Efficiency (LOR)      | 95%                                  |
| Colour Temperature    | Warm White 3000k<br>Cool White 5000k |
| Lumen                 | Warm White 660lm<br>Cool White 700lm |
| Efficacy              | 82.5lm/w                             |
| CRI                   | Warm White >80                       |
| LED Life              | 50,000Hrs                            |
| Operating Temperature | -25° / +60°                          |
| IP Rating             | IP64                                 |
| Cut Out               | Ø80mm                                |
|                       |                                      |
|                       |                                      |