

Gimbal LED Downlight 20w

High Luminosity COB LEDs



Gimbal LED Downlight - EFX-20WGDL

Gimbal LED Downlight 20w - EFX-20WGDL

- High brightness LED built inside
- Long lifespan, maintenance free
- Eco friendly, no mercury or other harmful materials
- No UV or radiation
- Soft light and no strobe flash
- Nice design and easy to install
- Wide-range input voltage

Features

- Can be rotated by 360° in horizontal direction, 90° in vertical direction
- 1 pcs High-brightness COB LED built inside
- Innovative high-reflectance mirror
- Reflector with diamond lines to control the beam angle
- Design offers excellent light distribution compared to conventional lamps

Product Code

EFX-20WGDL

Size

Ø192mm x 140mm

Beam Angle

73.5°

Input Voltage

110-265Vac

Frequency

50/60 Hz

Transformer Output

20W

Running Current

600mA

Power Factor

0.9

Chip Set

Epistar

Efficiency (LOR)

98%

Colour Temperature

Warm White 2700-3300k
Cool White 5500-6500k

Lumen

Warm White 1600lm
Cool White 1700lm

Efficacy

Warm White 80 lm/w
Cool White 85 lm/w

CRI

Warm White >80
Cool White >75

Internal Temperature

60°

External Temperature (Front)

38°

External Temperature (Back)

54°

Operating Temperature

-20° / +45°

IP Rating

20



EPISTAR RoHS

Eco-FX Limited

Office 1, 192 Shoreham Street
Sheffield S1 4SQ, UK

t: +44 (0) 114 321 9610

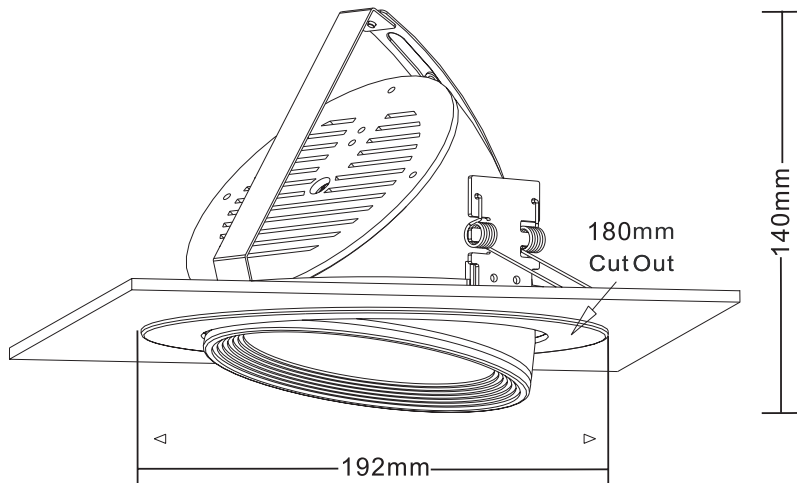
e: enquiries@eco-fx.co.uk

w: www.eco-fx.co.uk

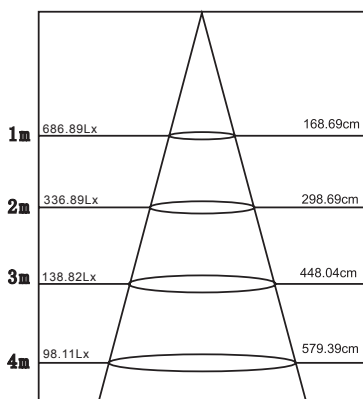
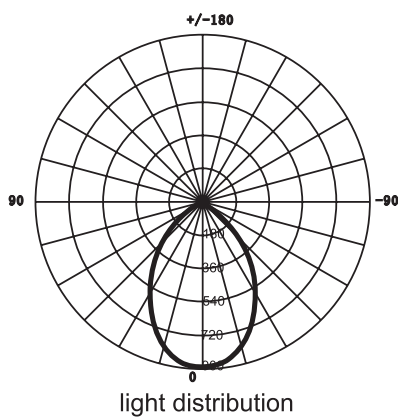
Issue April 2012

©Copyright 2012 - Eco-FX Limited

Gimbal LED Downlight Dimensions and Cut-out



Gimbal LED Downlight Light Distribution and Illuminance



Beam Angle: 73.5°