

# Gimbal LED Downlight 15w

High Luminosity COB LEDs



Gimbal LED Downlight - EFX-15WGDL

## Gimbal LED Downlight 15w - EFX-15WGDL

- High brightness LED built inside
- Long lifespan, maintenance free
- Eco friendly, no mercury or other harmful materials
- No UV or radiation
- Soft light and no strobe flash
- Nice design and easy to install
- Wide-range input voltage

### Features

- Can be rotated by 360° in horizontal direction, 90° in vertical direction
- 1 pcs High-brightness COB LED built inside
- Innovative high-reflectance mirror
- Reflector with diamond lines to control the beam angle
- Design offers excellent light distribution compared to conventional lamps

Technical 15w	
Product Code	EFX-15WGDL
Size	Ø192mm x 140mm
Beam Angle	73.5°
Input Voltage	110-265Vac
Frequency	50/60 Hz
Transformer Output	15W
Running Current	420mA
Power Factor	0.9
Chip Set	Epistar
Efficiency (LOR)	98%
Colour Temperature	Warm White 2700-3300k Cool White 5500-6500k
Lumen	Warm White 1200lm Cool White 1450lm
Efficacy	Warm White 80 lm/w Cool White 96.67 lm/w
CRI	Warm White >80 Cool White >75
Internal Temperature	58°
External Temperature (Front)	38°
External Temperature (Back)	50°
Operating Temperature	-20° / +45°
IP Rating	20



EPISTAR **RoHS**

### Eco-FX Limited

Office 1, 192 Shoreham Street  
Sheffield S1 4SQ, UK

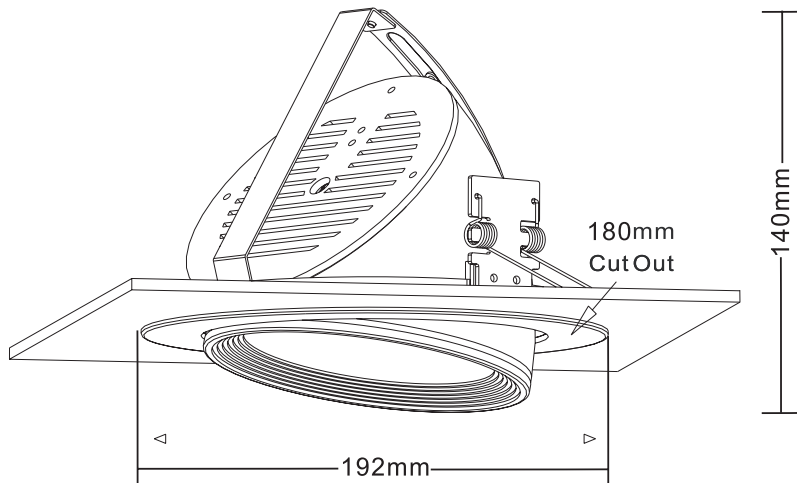
t: +44 (0) 114 321 9610  
e: enquiries@eco-fx.co.uk

w: www.eco-fx.co.uk

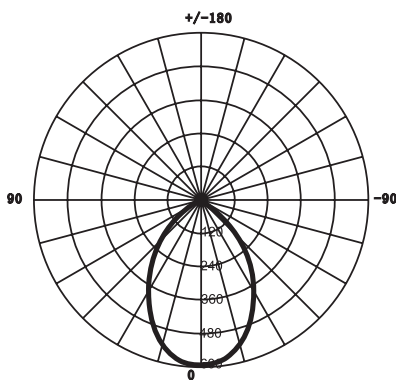
Issue April 2012

©Copyright 2012 - Eco-FX Limited

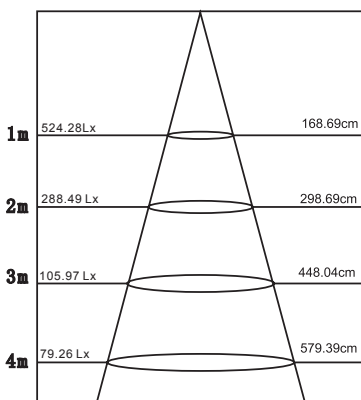
### Gimbal LED Downlight Dimensions and Cut-out



### Gimbal LED Downlight Light Distribution and Illuminance



light distribution



Beam Angle: 73.5°