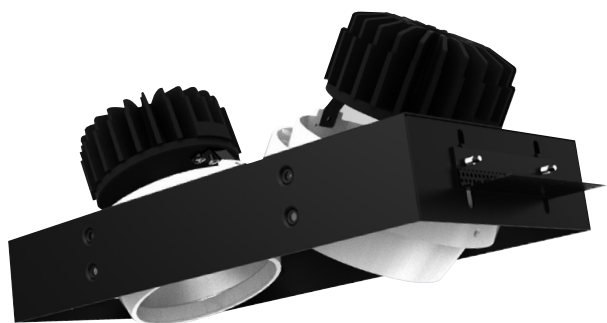


LED Gridlight (Double) 50w

Adjustable



LED Gridlight - EFX-RDLDA225



LED Gridlight 50w - EFX-RDLDA225

The Eco-FX LED Gridlight offers high luminosity giving efficient heat dissipation. The long life driver offers constant current and voltage. Offering total flexibility in the retail environment.

	Technical 50w
Product Code	EFX-RDLDA225
Size	316mm x 163mm
Beam Angle	55°
Input Voltage	110-265Vac
Frequency	50/60 Hz
Transformer Output	25W x2 36VDC x2
Running Current	700mA x2
Power Factor	0.9
Chip Set	Bridgelux
Efficiency (LOR)	92%
Colour Temperature	Warm White 3000k
Lumen	Warm White 2000lm x2
Efficacy	Warm White 80lm/w
CRI	Warm White >80
TILT	30°
LED Life	50,000Hrs
Operating Temperature	-20° / +45°
IP Rating	20



Eco-FX Limited

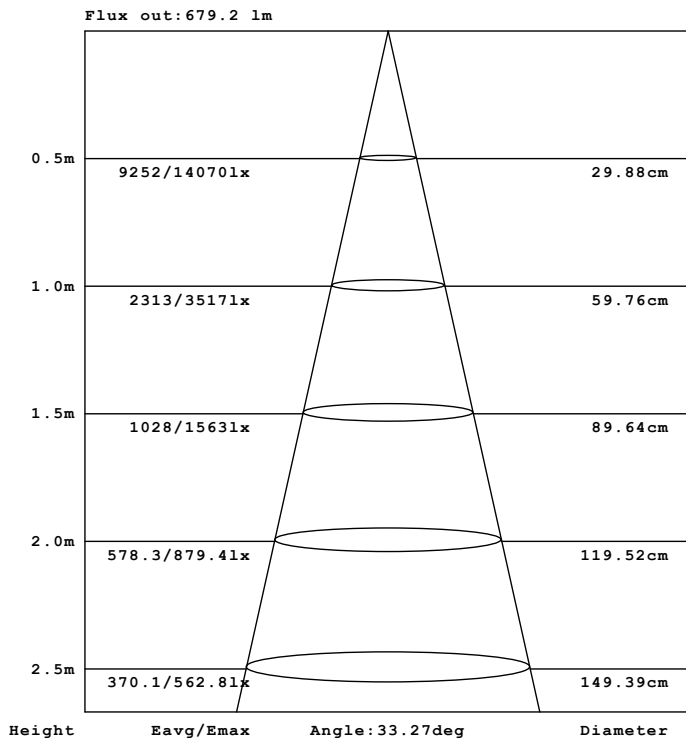
Office 1, 192 Shoreham Street
Sheffield S1 4SQ, UK

t: +44 (0) 114 321 9611
e: enquiries@eco-fx.co.uk

w: www.eco-fx.co.uk

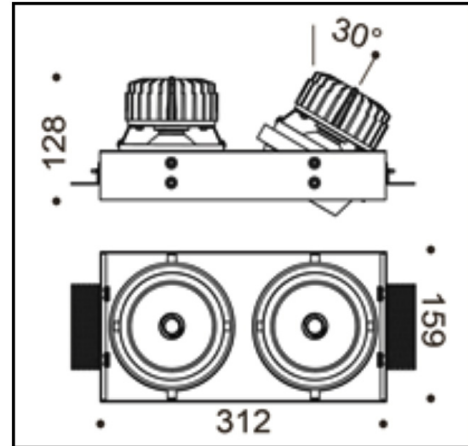
Issue March 2013
©Copyright 2013 - Eco-FX Limited

Illuminance

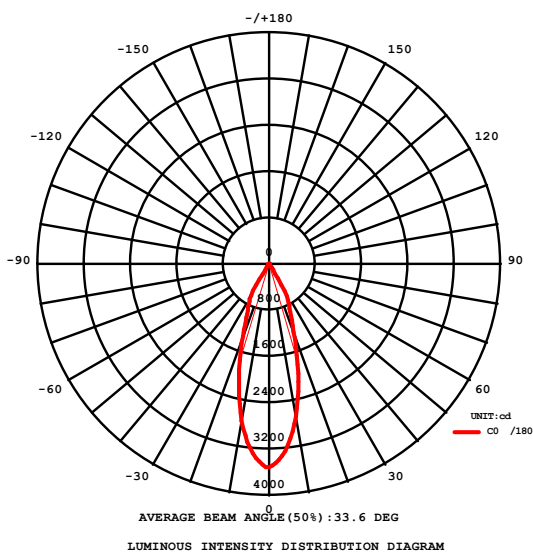


Note: The Curves indicate the illuminated area and the average illumination when the luminaire is at different distance.

Dimensions



Luminous Intensity Distribution Diagram (from a single lamp)



Absolute Maximum Rating

Parameter	Rating
Operating Temperature	-20° / +45°
IP Rating	20