

# LED Downlight 32w

High Luminosity COB LEDs



LED Downlight - EFX-32WDL

## LED Downlight 32w - EFX-32WDL

The Eco-FX LED Downlight offers high luminosity COB LEDs giving efficient heat dissipation (surface temperature 58°C, junction temperature 85°C) and produces a softer light. The long life driver offers constant current and voltage.

Technical 32w	
Product Code	EFX-32WDL
Size	Ø245mm x 110mm
Beam Angle	73.5°
Input Voltage	110-265Vac
Frequency	50/60 Hz
Transformer Output	32W
Running Current	950mA
Power Factor	0.93
Chip Set	Epistar
Efficiency (LOR)	95%
Colour Temperature	Warm White 2700-3300k Cool White 4500-5500k
Lumen	Warm White 2880lm Cool White 3120lm
Efficacy	Warm White 90 lm/w Cool White 97.5 lm/w
CRI	Warm White >80 Cool White >75
Internal Temperature	53°
External Temperature (Front)	38°
External Temperature (Back)	47.3°
Operating Temperature	-40° / +50°
IP Rating	20



**EPISTAR** **RoHS**

### Eco-FX Limited

Office 1, 192 Shoreham Street  
Sheffield S1 4SQ, UK

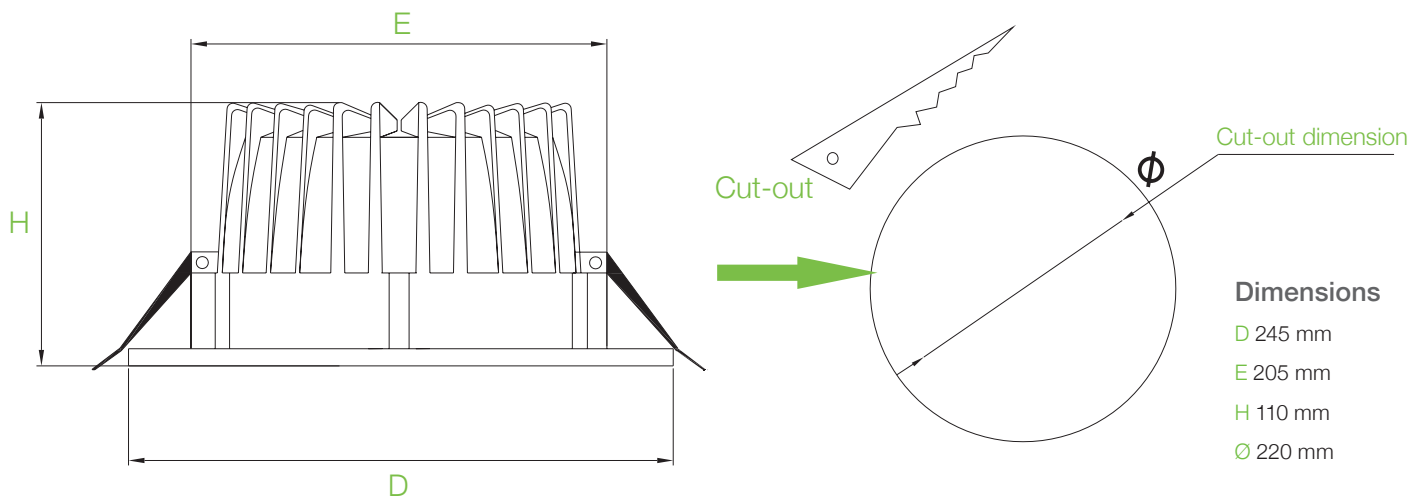
t: +44 (0) 114 321 9610  
e: enquiries@eco-fx.co.uk

w: www.eco-fx.co.uk

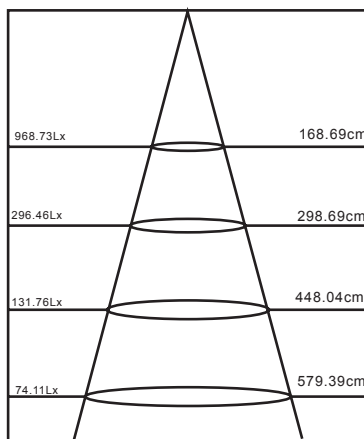
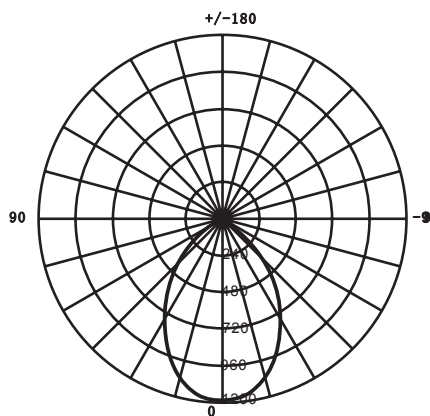
Issue April 2012

©Copyright 2012 - Eco-FX Limited

### LED Downlight Dimensions and Cut-out view



### LED Downlight Light Distribution and Illuminance



Beam Angle:  $73.5^\circ$

### Absolute Maximum Rating

Parameter	Rating
Housing Temperature	38°C
Operating Temperature	-40° – +50°C
IP Rating	20